



Self-contained ice maker - Pebble system
Daily production up to 96 kg

Hotel	████████████████████
Restaurant	████████████████████
Fast food	████████████████████
Bar	████████████████████
Disco	████████████████████
Fish market	████████████████████
Supermarket	████████████████████
Medical & SPA	████████████████████
Industry	████████████████████

► Position n°



► Features & Plus

- Pebble ice - 91% dry
- 1l (water) - 1kg (ice) - only Air cooled
- AISI 304 SS Scotch Brite finish
- Tropical class +43°C
- Adjustable Stainless Steel feet
- Removable and cleanable air filter
- AISI 304 SS evaporator
- Air or water cooling system
- Easy cleanable internal rounded surfaces
- HCFC-Free insulated storage
- Dust-proof water basin
- RoHS Free
- Disappearing insulated door
- Electromechanical operation
- ON-OFF rocker switch
- Automatic water charge
- Standard and special voltages



AISI 304 SS Scotch Brite finish



Removable and cleanable air filter



AISI 304 SS evaporator



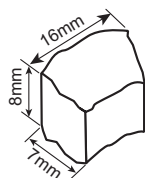
Dust-proof water basin



Disappearing insulated door

► Available pebble size

drawing for reference only



► Prod. 24h

Air temp.	Water temp.		kg	lbs
	10° C	50° F		
10° C	50° F	7° C	96	212
21° C	70° F	15° C	85	187

2 Years Warranty
subject to limitations

► Certifications available for this model

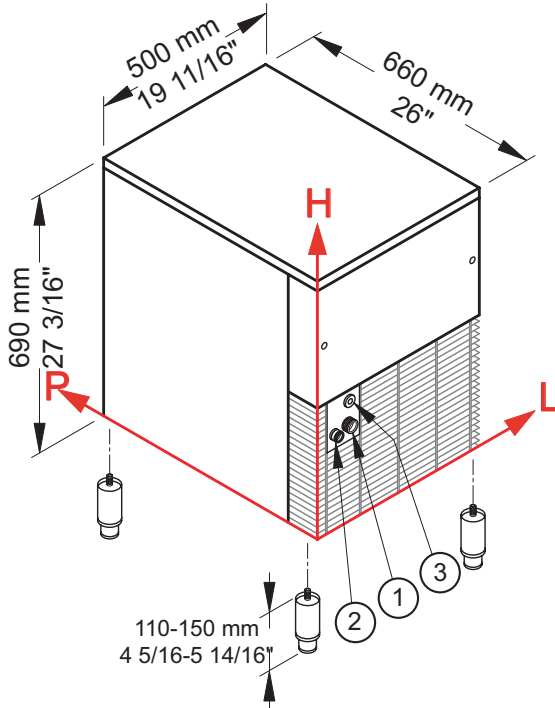




Ice Pebbles

TB 852

Self-contained ice maker - Pebble system
Daily production up to 96 kg

**▶ Working conditions**

- Location: **Indoor**

	Min	Max
Ambient temperature	+10° C / +50° F	+43° C / 110° F
Water temperature	+3° C / +37° F	+32° C / +90° F
Voltage	-10%	+10%
Water inlet pressure	1bar (14 psi)	6bar (84 psi)

▶ Performances

	Air temperature	Water temperature	Water temperature					
			7° C	45° F	15° C	60° F	21° C	70° F
	10° C	96 kg						
	50° F	212 lbs						
	21° C		85 kg					
	70° F			187 lbs				
	32° C				71 kg			
	90° F					157 lbs		

▶ Connections

All measures are referred to the rear bottom-left corner (L-H-Ø)

- ① Water in.: 99 mm / 3 14/16" - 158 mm / 6 4/16" - 3/4" ② Water out.: 48 mm / 1 14/16" - 151 mm / 5 15/16" - 24 mm / 15/16"
- ③ Electrical connections: 87 mm / 3 7/16" - 230 mm / 9 1/16"

▶ Technical information

Production in 24h	85 kg / 187 lbs	Water consumption	A: 1 l/kg - 12,0 gal/100 lbs
Store capacity, up to	20 kg / 44 lbs		W: 6,3 l/kg - 75,5 gal/100 lbs
Cooling system	A - W	Sizes (L-P-H mm)	500 - 660 - 690
Approximate pebble size	8 x 16 x 7	(L-P-H in)	19 11/16 - 26 - 27 3/16
Refrigerant	R404A - R452A	Sizes with pack (L-P-H mm)	550 - 720 - 880
Standard voltage	220-240 V ~ 50 Hz	(L-P-H in)	21 10/16 - 28 6/16 - 34 10/16
Average power consumption	550 W	Net weight	59 kg / 130 lbs
Fuse	10 A	Gross weight	67 kg / 148 lbs
Finish	AISI 304 stainless steel, scotch brite		

All the technical information must be considered at the following conditions:
 Sizes without feet
 Ambient temperature +21° C
 Water temperature +15° C
 Average power consumption at +43° C (standard voltage)

Models and specifications are subject to change without notice

Rev. 04 - Issued September 2019



www.bremaice.it
info@bremaice.it

