

REACH-IN CHILLER & FREEZER

FAN COOLING

Technical Specifications

- Type of Defrost : Automatic
- Exterior Finish : Stainless steel
- Interior Finish : Stainless steel
- Max Ambient : 38°C

Features and Benefits

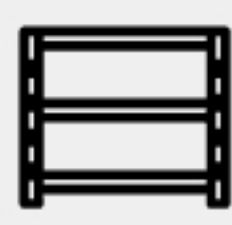
- Stainless steel inside and outside, sealed interior floors and rounder cabinet corners for easy cleaning
- Self closing doors with stay open feature, lifetime guaranteed door hinges
- Digital temperature controller with automatic defrost system
- Forced air refrigeration system
- Adjustable, heavy duty shelves
- Adjustable feet



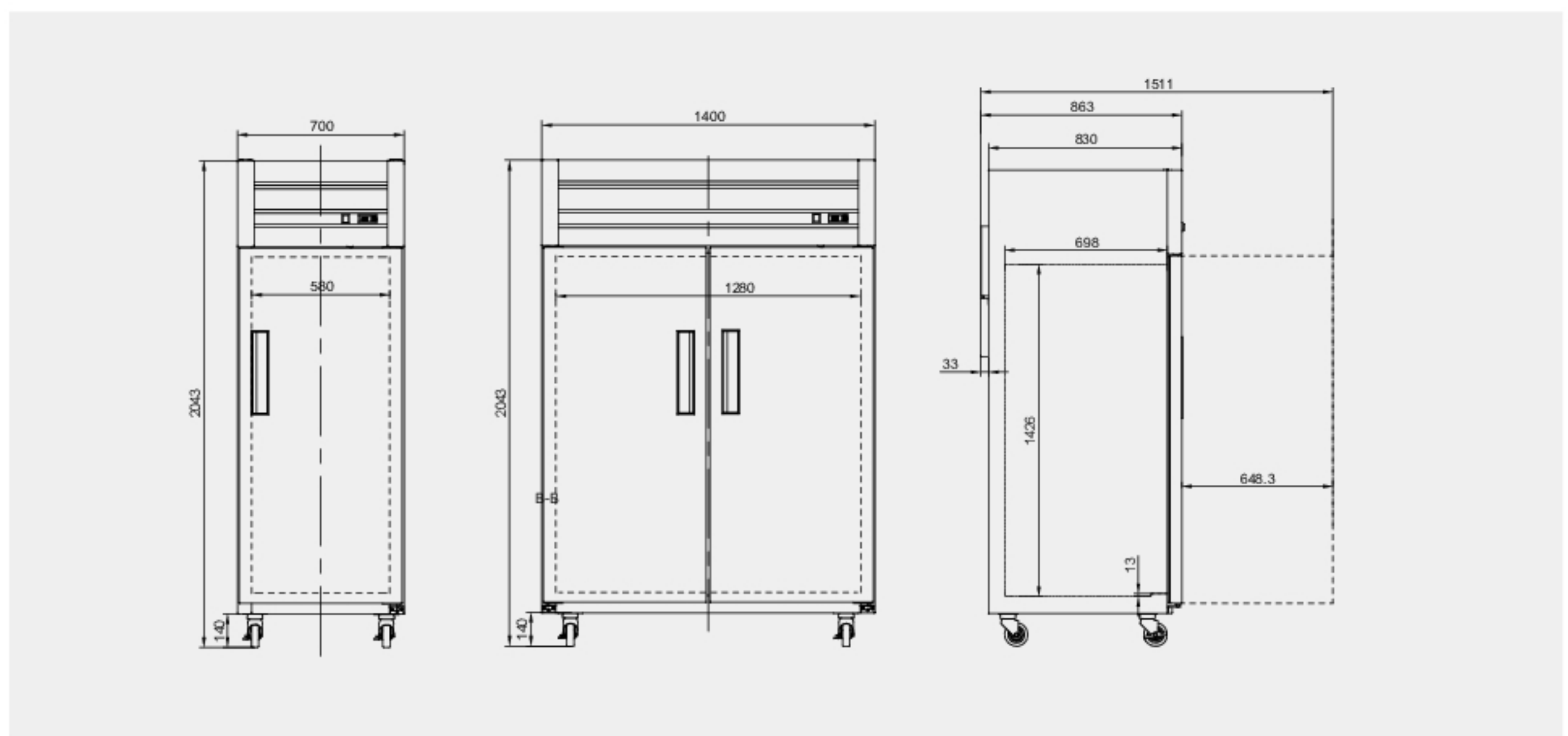
Fan Cooling



Automatic Defrost



Adjustable Shelves



MODEL NO		GN70	GN140
Product Dimensions (W×D×H)	mm	700×863×2043	1400×863×2043
Packaging Dimensions (W×D×H)	mm	740×880×2143	1440×880×2143
Temperature Range	°C	-18~-22	-18~-22
Volume gross	lt	540	1197
Net Weight	kg	110	170
Gross Weight	kg	147.5	230
# of Shelves		4	8
Refrigerant		R290	R290
40HQ Container Certification		39	21